

# Aerial Work Platforms

## Genie® Runabout™ Contractor

### Specifications

Model	GRC™-12	
Measurements	Metric	US
Working height*	5.66 m	18 ft
Platform height	3.66 m	12 ft
<b>A</b> <b>B</b> Platform dimensions (length x width)		
Ext Platform dimensions - retracted	99 x 75 cm	39 x 29.5 in
Ext Platform dimensions - extended	1.4 m x 75 cm	55 x 29.5 in
<b>C</b> Height - stowed	1.70 m	67 in
<b>D</b> Length - stowed	1.37 m	4 ft 6 in
<b>E</b> Width	80 cm	2 ft 7.5 in
<b>F</b> Ground clearance - center	6 cm	2.5 in

### Productivity

Max platform occupancy (indoor/outdoor) <sup>1</sup>	2/-	2/-
Lift capacity	227 kg	500 lbs
Drive speed - stowed	4.0 km/h	2.5 mph
Drive speed - raised	0.8 km/h	0.5 mph
Gradeability**	30%	30%
Turning radius - inside	zero	zero
Turning radius - outside	1.35 m	4 ft 5 in
Raise / lower speed	12 / 16 sec	12 / 16 sec
Controls	24V DC proportional	24V DC proportional
Tyres - solid non-marking	25 x 8 x 20 cm	10 x 3 x 8 in

### Power

Power source	24V (four 6V 225 Ah batteries)	
Hydraulic system capacity	8.33 L	2.2 gal

### Sound & Vibration Levels

Sound pressure level (ground workstation)	<70 dBA	<70 dBA
Sound pressure level (platform workstation)	<70 dBA	<70 dBA
Vibration	<2.5 m/s <sup>2</sup>	<8 ft 2 in/s <sup>2</sup>

### Weight\*\*\*

	948 kg	2,090 lbs
--	--------	-----------

### Standards Compliance

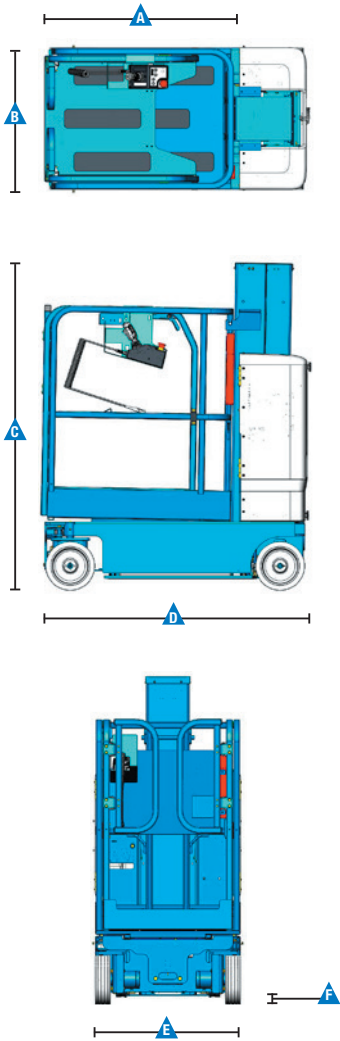
EU Directives: 2006/42/EC - Machinery (harmonized standard EN280:2013); 2014/30/EU (EMC); 2014/35/EU (LVD)

<sup>1</sup> Indoor use only.

\* The metric equivalent of working height adds 2 m to platform height. U.S. adds 6 ft to platform height.

\*\* Gradeability applies to driving on slopes. See operator's manual for details regarding slope rating.

\*\*\* Weight will vary depending on options and/or country standards.



### Features

Standard Features	Easily Configured To Meet Your Needs	Options & Accessories
-------------------	--------------------------------------	-----------------------

#### Measurements

##### GRC-12

- 5.66 m (18 ft) working height
- 3.66 m (12 ft) platform height
- Up to 227 kg (500 lbs) lift capacity

#### Productivity

- 2-person rated
- Smart Link™ control system (joystick, 2 lift speeds & 2 selectable proportional drive speeds, user-friendly diagnostics)
- Auxiliary platform lowering
- Low 39 cm (15.5 in) platform entry height
- Work station tray
- Steel tube-in-tube mast system
- Compact base 75 cm x 1.37 m (29.5 x 53.75 in)
- Ground clearance 6.3 cm (2.5 in) (stowed)
- Fully proportional lift and drive controls
- Battery charge indicator
- LED dual flashing beacons
- On-board diagnostic system
- AC power to platform (cable only)
- Descent and tilt alarm
- Motion Alarm
- Zero inside turning radius
- Dual wheel brakes
- Hydraulic brake release
- Pothole protection
- Hinged rear ABS covers for easy access to all major electrical and hydraulic components
- Tie down attachment points
- Overhead crane attachment point
- Large forklift pockets access
- Telematics-Ready Connector

#### Platform

- 99 cm x 75 cm (39 x 29.5 in) steel platform and saloon doors with extension deck

#### Power

- 24V (four 6V 225 Ah batteries) with automatic 25 amp battery charger
- AGM maintenance-free batteries<sup>(1)</sup>

#### Tyres

- Non-marking solid

#### Options & Accessories

##### Productivity

- Power to platform: plug, socket, with optional Residual-current Circuit Breaker with Overcurrent protection
- Biodegradable hydraulic oil
- Fluorescent tube caddy
- Automotive-style horn
- Drive cutout while charging
- Track & Trace<sup>(2)</sup> (GPS unit providing machine location & operating information)

##### Power

- AGM maintenance-free batteries<sup>(1)</sup>



<sup>(1)</sup> Factory-fit option only

<sup>(2)</sup> Includes a first 2 years subscription