

# Material Lifts

## Super Tower™

### Specifications

Models	ST-20	US	ST-25	US
Measurements	Metric	US	Metric	US
<b>A</b> Height - stowed	2.2 m	6 ft 6.75 in	2.2 m	6 ft 6.75 in
<b>B</b> Length - stowed	64 cm	2 ft 1.25 in	64 cm	2 ft 1.25 in
<b>C</b> Width - stowed	56 cm	1 ft 10 in	56 cm	1 ft 10 in
<b>D</b> Load height minimum	15 cm	6 in	15 cm	6 in
<b>E</b> Ground clearance - center	5 cm	2 in	5 cm	2 in
Working height - forks up	6.46 m	21 ft 2.5 in	7.94 m	26 ft 0.5 in
- forks down	5.94 m	19 ft 6 in	7.42 m	24 ft 4 in

### Productivity

Load capacity - at 46 cm (18 in) load center	363 kg	800 lbs	295 kg	650 lbs
Length - adjustable forks	70 cm	27.5 in	70 cm	27.5 in
Width - adjustable forks	29–76 cm	11.5–30 in	29–76 cm	11.5–30 in
Fork extensions detached each (l/w/d)	76/5/8 cm; 2 kg	30/2/3 in; 4.5 lbs	76/5/8 cm; 2 kg	30/2/3 in; 4.5 lbs
Fork extensions attached each (l/w/d)	64/5/8 cm; 2 kg	25/2/3 in; 4.5 lbs	64/5/8 cm; 2 kg	25/2/3 in; 4.5 lbs
Weight - adjustable forks	24 kg	52.5 lbs	24 kg	52.5 lbs
Outrigger footprint	1.87 x 2.02 m	73.5 x 79.5 in	1.87 x 2.02 m	73.5 x 79.5 in
Casters	standard casters		standard casters	

### Power

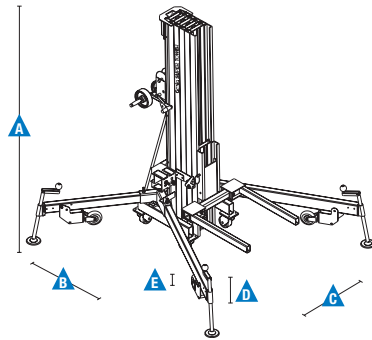
Average cranks: standard winch	27.8 cranks/m	8.5 cranks/ft	27.8 cranks/m	8.5 cranks/ft
--------------------------------	---------------	---------------	---------------	---------------

### Weight

	230 kg	507 lbs	252 kg	555 lbs
--	--------	---------	--------	---------

### Standards Compliance

EU Directive: 2006/42/EC (Machinery)



### Features

Standard Features	Easily Configured To Meet Your Needs	Options & Accessories
-------------------	--------------------------------------	-----------------------

#### Measurements

##### ST™-20

- 6.46 m (21 ft 2.5 in) maximum lifting height
- Up to 363 kg (800 lbs) load capacity

##### ST-25

- 7.94 m (26 ft 0.5 in) maximum lifting height
- Up to 295 kg (650 lbs) load capacity

#### Productivity

- Use as a single unit, or two or more can be used together to support trusses
- Flat black anodized finish is nearly invisible to audience
- Portable and compact design
- Lightweight, durable aluminum construction
- Easy set-up with no tools required
- Durable steel forks
- Hand winch locks in place when handle is released
- Easy to transport—no bulky base
- Hold-down mechanism secures carriage during transport

#### Power

- One-speed manual winch
- Reversible winch handle for easy storage

#### Productivity & Fork Options

- Adjustable width forks (standard)
- Load platform
- Fork extensions

#### Power Options

- One-speed manual winch (standard)
- Two-speed manual winch <sup>(1)</sup>

#### Base

- Standard base

#### Casters

- Standard casters

#### Productivity

- Load platform
- Fork extensions

#### Power

- Two speed manual winch <sup>(1)</sup>



<sup>(1)</sup> Available aftermarket only