

Material Lifts

Load Lifter™

Specifications

Model	Load Lifter	
Measurements	Metric	US
A Height - stowed	1.14 m	3 ft 9 in
Height - platform maximum	1.70 m	5 ft 7 in
B Length - stowed	38 cm	1 ft 3 in
Length - operating	81 cm	2 ft 8 in
C Width - stowed	52 cm	1 ft 8.5 in

Productivity

Load capacity	91 kg	200 lbs
D Load height minimum	5 cm	2 in
Ground clearance - center	2 cm	0.75 in
Average cranks - standard winch	3 cranks/30 cm	3 cranks/ft
E Load platform length	36 cm	1 ft 2 in
F Load platform width	43 cm	1 ft 4.75 in
Front swivel casters, solid non-marking	5 cm diam.	2 in diam.
Back wheels, solid non-marking	20 cm diam.	8 in diam.

Power

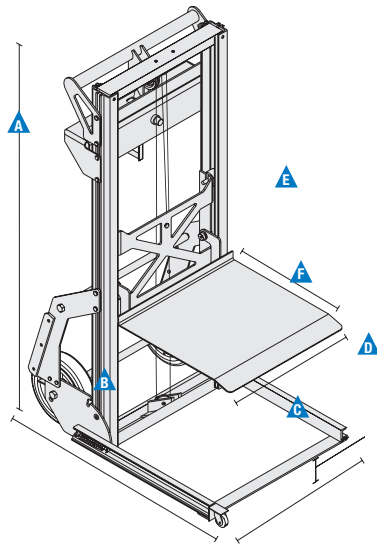
Power source	reversible standard winch
--------------	---------------------------

Weight

Standard	26 kg	58 lbs
----------	-------	--------

Standards Compliance

EU Directive: 2006/42/EC (Machinery)



Features

Standard Features	Easily Configured To Meet Your Needs	Options & Accessories
-------------------	--------------------------------------	-----------------------

Measurements

- 1.70 m (5 ft 7 in) lifting height
- Up to 91 kg (200 lbs) load capacity

Productivity

- Portable and compact design
- Lightweight durable aluminum construction
- High strength aircraft quality cable
- Cushioned neoprene hand grip
- Beveled aluminum platform for easy loading and unloading
- Portable - folds for compact storage
- Stair glides for easy handling on stairs
- Hold-down mechanism secures for transport

Power

- Standard quiet high-speed winch
- Reversible winch handle for easy storage

Platform

- Bevelled aluminium load platform

Power

- Standard winch

Base

- Standard base

Wheel / Caster Options

- 20 cm (8 in) non-marking rear wheels (standard)
- Pneumatic 20 cm (8 in) rear wheels for rough terrain
- 5 cm (2 in) non-marking front swivel casters (standard)

Productivity

- Field-installable foot break
- Pneumatic 20 cm (8 in) rear wheels for rough terrain
- 5 cm (2 in) non-marking front swivel casters

